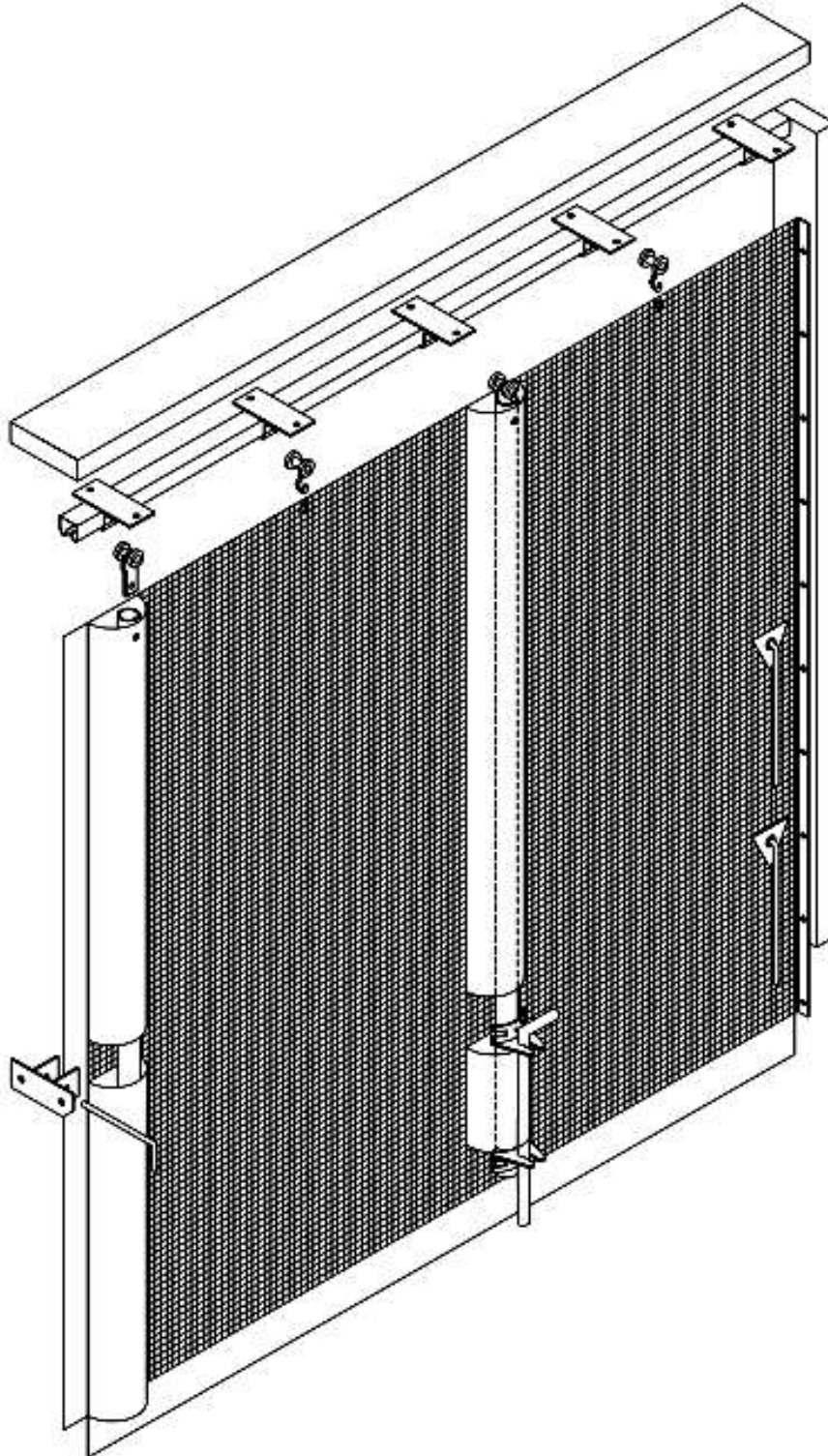




**GATEWAY INDUSTRIAL PRODUCTS**  
**SINGLE SLIDER**  
**HEADER MOUNT**



## INSTALLATION INSTRUCTIONS SINGLE SLIDER - HEADER MOUNT

### **I. Receiving and Handling**

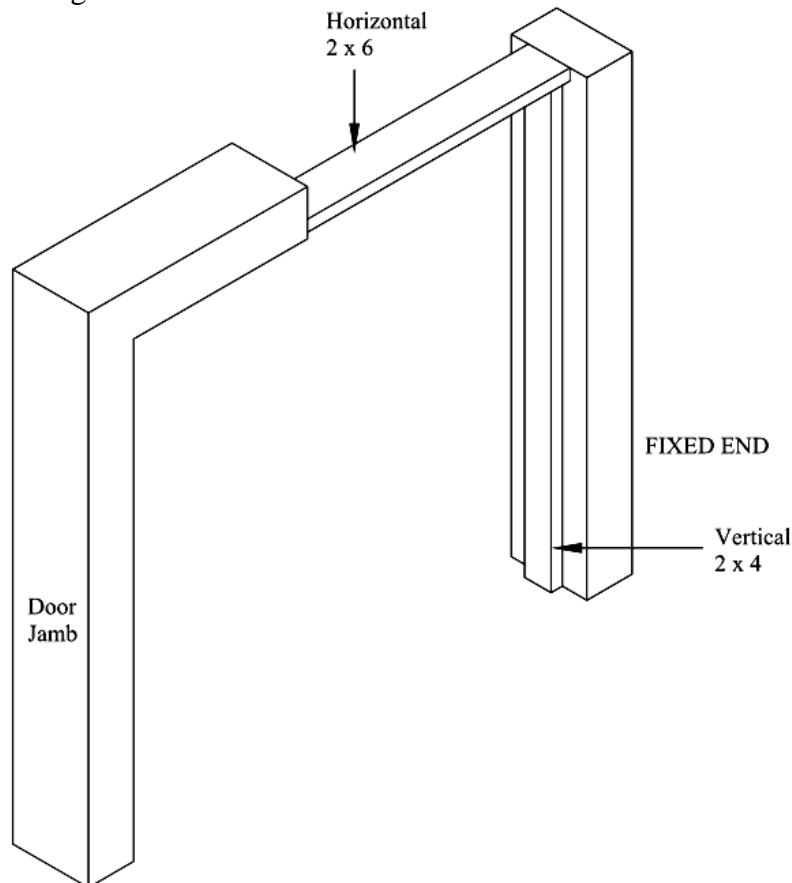
1. Upon receipt of the Gateway product, unpack and inspect contents for shipping damage or missing hardware and if necessary prepare claims against the freight carrier for any damage.

Any damage to the crate or packaging material should be noted on the shipping paperwork. Exterior damage may indicate concealed damage. This notation will preserve your rights should a freight claim be necessary.

### **II. Mounting Instructions**

2. Install the lumber in the doorway. There are two 2 pieces of lumber supplied. One (2 x 6) is equal to the door width. Mount it horizontally, centered under the doorway lintel. The other (2 x 4) is the length of the door height less 1 1/2" and it mounts vertically on the side of the jamb, which will be the fixed end of the curtain. Make sure the vertical 2 x 4 is mounted centered with the horizontal 2 x 6. (See Fig. 1).

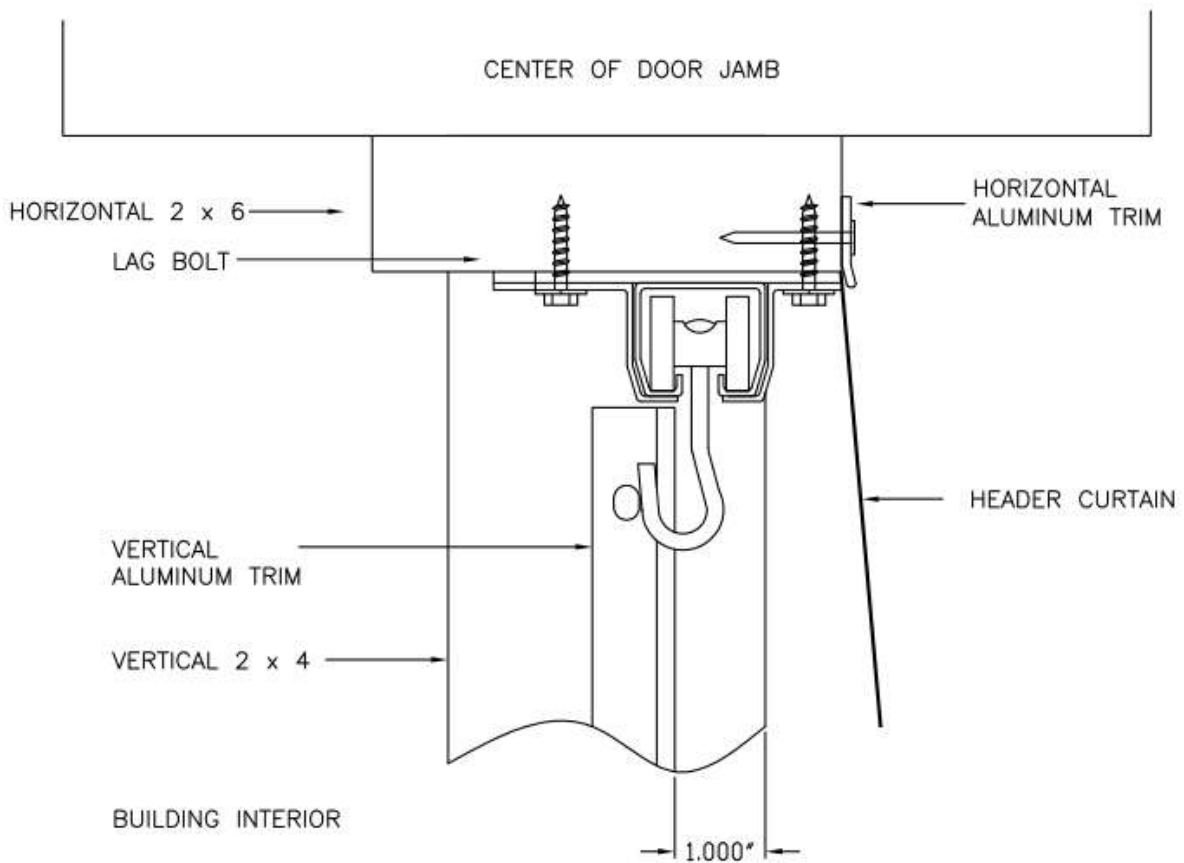
3. Lay the curtain out on the floor so the pipe staff pockets are facing up. Note that the fixed end of the curtain is the end without the vertical pipe staff pocket. The pipe staff pockets will face the inside of the building after installation.



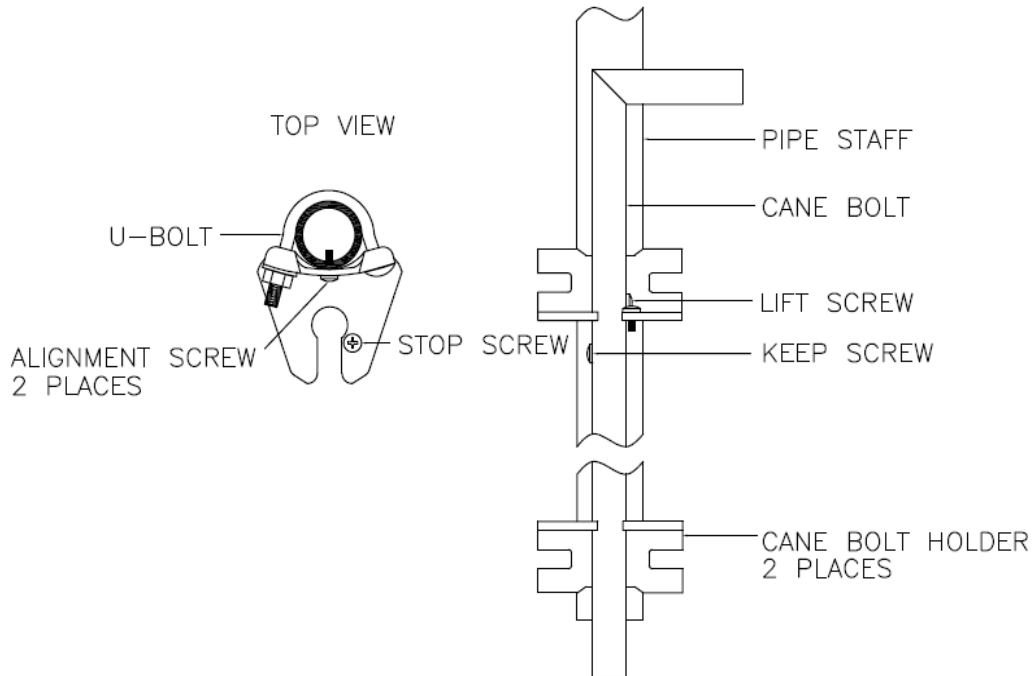
**FIGURE 1**

4. Lay the track down along the top of the curtain and slide the trolleys into the track in the proper order. Each trolley with a tab attached must line up with a pipe staff. Each trolley with a hook must line up with a grommet along the top of the curtain. Do not fasten the trolleys to the curtain yet. Install the track mounting brackets on areas marked on the track. Mount the track with trolleys installed flush with the outside edge of the horizontal 2 x 6. (See Fig. 2).

5. One pipe staff is used for the leading edge and has no alignment holes. Alignment holes are marked in red and are used for the cane bolt brackets. The leading edge pipe staff goes into the pocket at the end of the curtain that has no cut out for the cane bolt. The other pipe staff will have pre-drilled alignment holes marked in red, they slide into the remaining pockets of the curtain. For curtains with more than one pipe staff, line up the pre-drilled holes on the cane bolt holders with the pre-drilled holes on the pipe staff. Fasten the cane bolt holders, top and bottom with a #10-24 x 1/2 screw to the pipe staff, (the top cane bolt holder pictured has a stop screw and the bottom does not). Use the U-bolts to secure the brackets to the pipe staff. Remove the keep screw from the cane bolt, slip the cane bolt into the holders and tighten keep screw, this locks the cane bolt into the holder. (See Fig 3.)

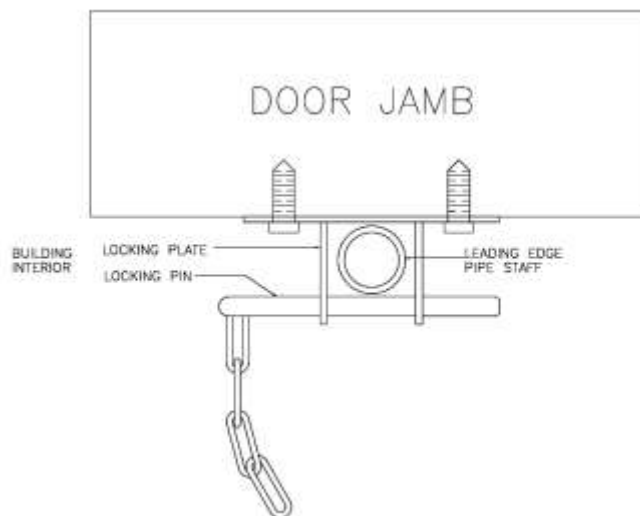


**FIGURE 2**



**FIGURE 3**

6. Take the entire curtain assembly with pipe staffs installed and lean it against the jamb on the locking side (no 2 x 4). Fasten the pipe staffs to the trolleys with the tabs by inserting the tabs into the top of the pipe staffs and line up holes of curtain, pipe, and trolley tab. Fasten with the 5/16" x 2" long bolts and nuts provided.
7. Line up each trolley with hook with the appropriate grommet hole in the curtain and attach.
8. Close the curtain and line up the pipe staff locking bracket with the opening in the leading edge pipe staff pocket. Fasten the pipe staff locking bracket to the jamb. (See Fig. 4).



**FIGURE 4**

9. Close the curtain, fasten the leading edge pipe staff to the locking bracket with the pin.

10. Pull the fixed end (with no pipe staff) of the curtain back to the vertical 2 x 4.
  11. Start at the top of the curtain, pull the curtain snugly to the interior edge of the vertical 2 x 4, neatly folding the curtain under if necessary to take up any slack. Put 1 nail at the top, now pull the bottom over and down snug and nail. In line with the first two nails, put two more in evenly spaced now cover with the aluminum trim and nail every other hole. (See Fig. 2).
  12. Close the curtain in order to line the cane bolt up on the floor. Drill a 5/8" diameter hole at least 2" deep in the floor to accept the cane bolt.
  13. Install the header curtain. Starting at the fixed edge, nail the remaining aluminum trim and the header curtain to the outside 1 1/2" edge of the horizontal 2 x 6. Nail every other hole.
- NOTE:** The Gateway logo faces the building exterior. (See Fig 2).

