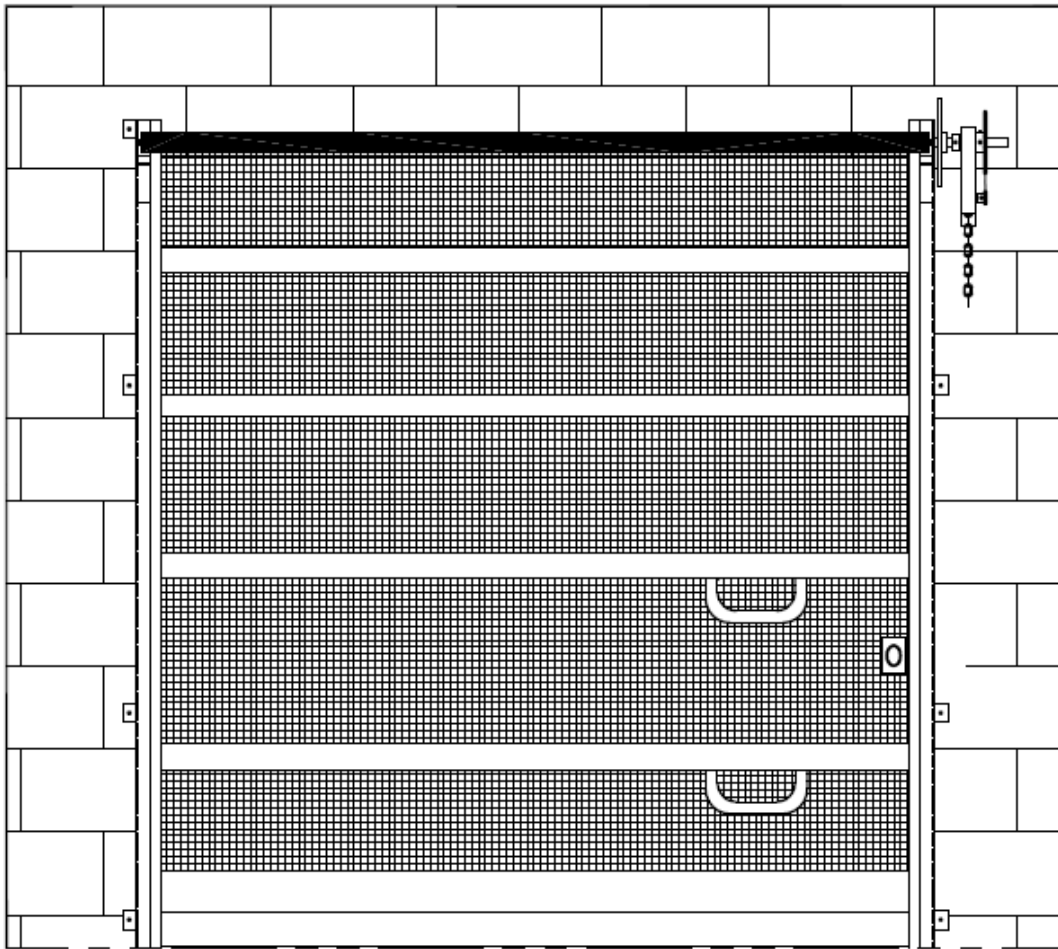




# GATEWAY CHAINHOIST ROLL-UP BUG BARRIER FACE OF WALL MOUNT



**WIDTH**

**HEIGHT**

	<b>WIDTH</b>	<b>HEIGHT</b>
<b>Door Opening Size</b>		
<b>Out to Out Finished Size</b>		

## INSTALLATION INSTRUCTIONS CHAINHOIST ROLL UP BUG BARRIER - FACE OF WALL MOUNT

### I. Receiving and Handling

1. Upon receipt of the Gateway Bug Barrier™, inspect the contents for shipping damage or missing hardware. If necessary initiate claim(s) with the freight carrier for any damage.

#### Important Note:

Any damage to the crate or packaging material should be noted on the shipping paperwork. Exterior damage may indicate concealed damage. This notation will preserve your rights should a freight claim be necessary.

### II. Hardware Mounting Instructions

2. Dimension W and H is the Width and Height of the door opening as ordered. Your wall mount door is normally manufactured 8 inches higher and wider so that all hardware clears the opening. Check that the door opening width and height of the door is correct. (See front page).
3. Mark the center of the door opening. Measure ½ of the OTO (See front page) from the center line and mark the wall on both sides. (See Figure 1).
4. Mount the track assemblies to the wall so they are centered over the doorway width and the OTO measurement of the roll mounting brackets are the same as measured in Fig 1. The tracks should be parallel, and level and the tops of the mounting brackets should be level with one another.

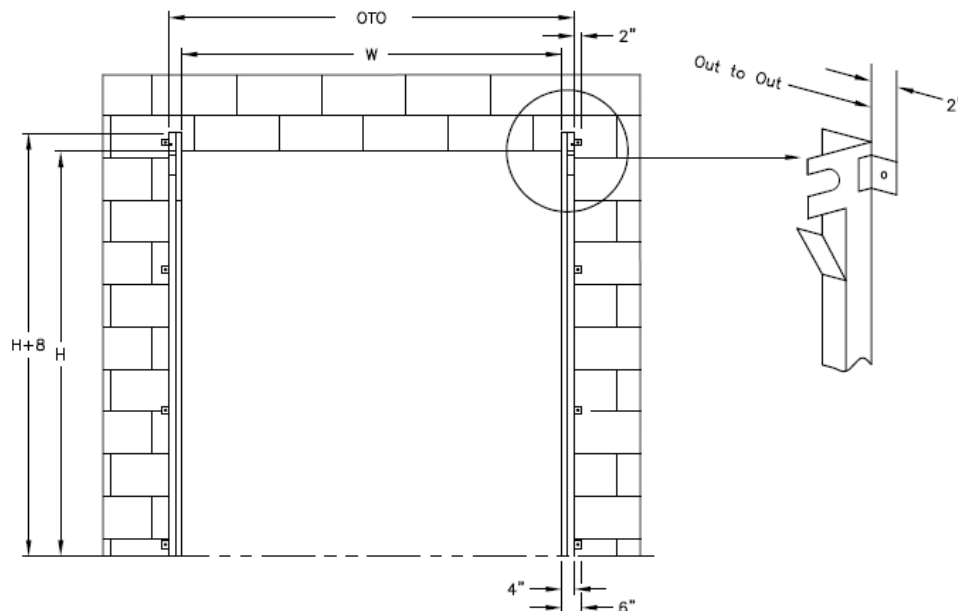


FIGURE 1

5. This instruction depicts a right hand chainhoist mount. A left hand mount will be reversed. Locate the track assembly with the football bearing. (Remove the bearing and place it on the jackshaft with the bearing facing away from the roll) Mount it on the OTO mark on the right hand side. Weld or fasten with the proper fastener. (Not supplied).

6. Mount the Idler end track on the OTO mark on the left wall. The track should be level and flush with the floor. Weld or fasten with the proper fastener. (Not supplied).

**III. Insect Screen Roll Mounting Instructions**

7. Ensure that the insect screen is wrapped tightly onto the roll tube.

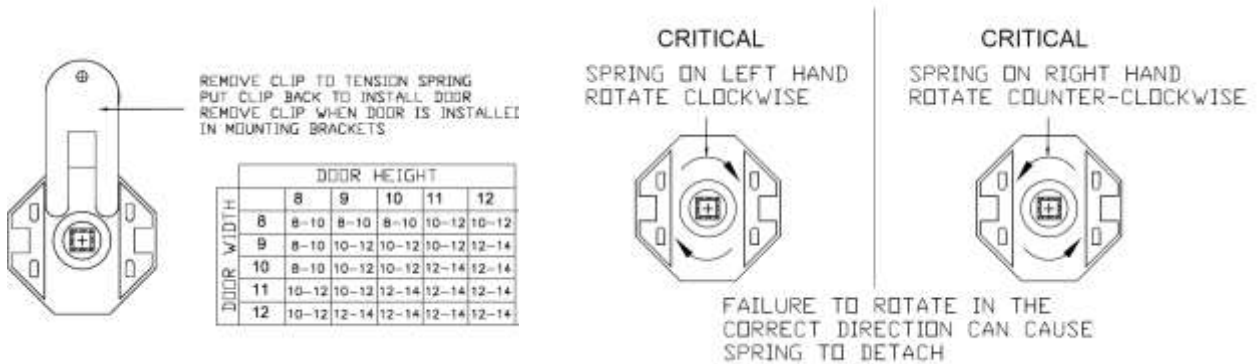
8. Slide the flat retaining plate from the end of the spring. Using a crescent wrench, wind the tab on the spring end of the roll tube as shown. (See Fig 2.)

**NOTE: IF THE SPRING IS ON THE LEFT TENSION THE SPRING CLOCKWISE. IF THE SPRING IS ON THE RIGHT TENSION THE SPRING COUNTER-CLOCKWISE.** (See Fig 2.)

**CAUTION: LETTING GO OF THE WRENCH DURING TENSIONING COULD RESULT IN INJURY.**

**Important Note:**

Gateway Industrial Products will not be responsible for springs wound counterclockwise or going past the maximum of 25 complete turns with out consulting Gateway for approval.



**FIGURE 2**

9. After winding is complete, replace the flat retaining clip, this will lock the spring in place.

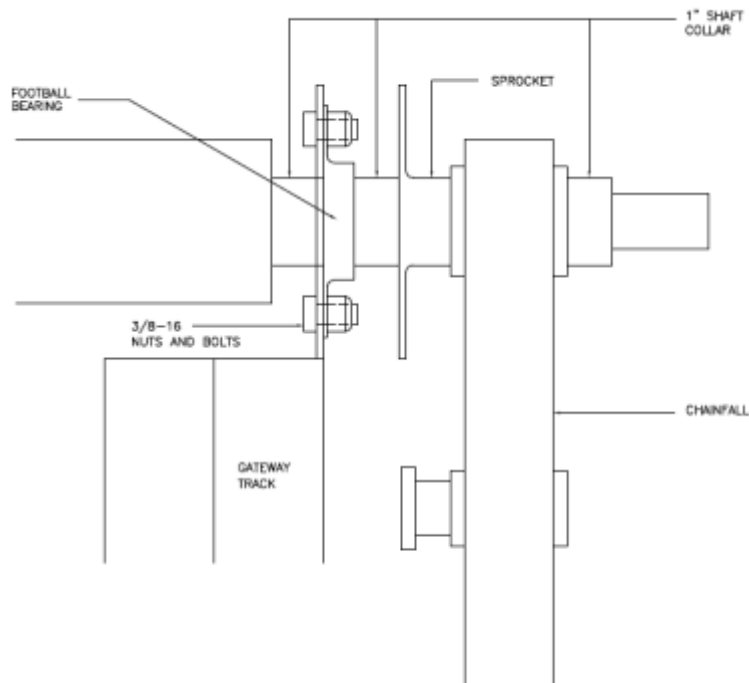
10. Flip the header curtain out of the way. Pick up the spring end of the roll tube in your right hand. Have a helper pick up the idler end of the roll tube.

11. Put the spring end of the roll tube assembly into the mounting bracket then slide the shaft with the collar into the slot on the other bracket.

12. Fasten the bearing on the slotted plate with the 3/8 x 1/2 bolts and nylock nuts. Slide the shaft collar up against the inside of the bearing and tighten to hold the roll in place. (See Fig. 3).

13. Slide another collar on the other side of the bearing and tighten.

14. Slide on the sprocket with the keyway and chainhoist assembly with the small sprocket down and facing the big sprocket and the last collar. (See Fig. 3).



**FIGURE 3**

15. Run hand chain up through the bottom front of the chainhoist by turning the small sprocket counterclockwise. Shorten the chain as needed then connect the two end with the twisted connection link.

16. Install the roller chain around the two sprockets and connect. Fasten the chain-keeper to the wall as not to interfere with the movement of the hand chain.

17. Mount the header curtain to the wall with the aluminum clamp strip provided. Make sure the curtain hangs down in the track against the back of the roll assembly. Mount the clamp strip with 10 x 3/4 screws provided in every other hole so that the top of the clamp strip is located 1" above the top of the roll assembly. The Gateway logo should face the building exterior. (See Fig. 4).

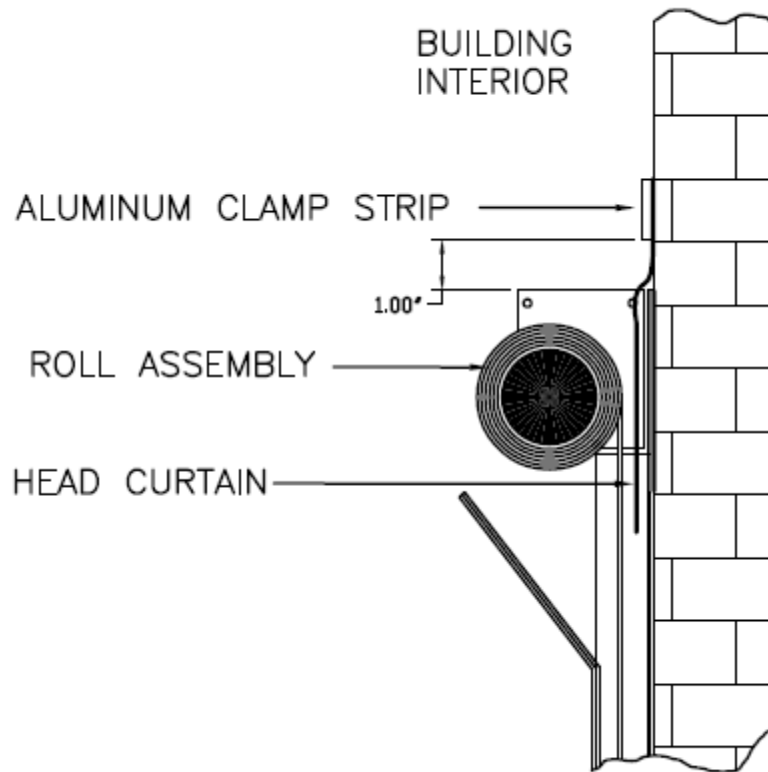


FIGURE 4

See Figure 5 for an exploded view of the bug barrier configuration and parts breakdown.

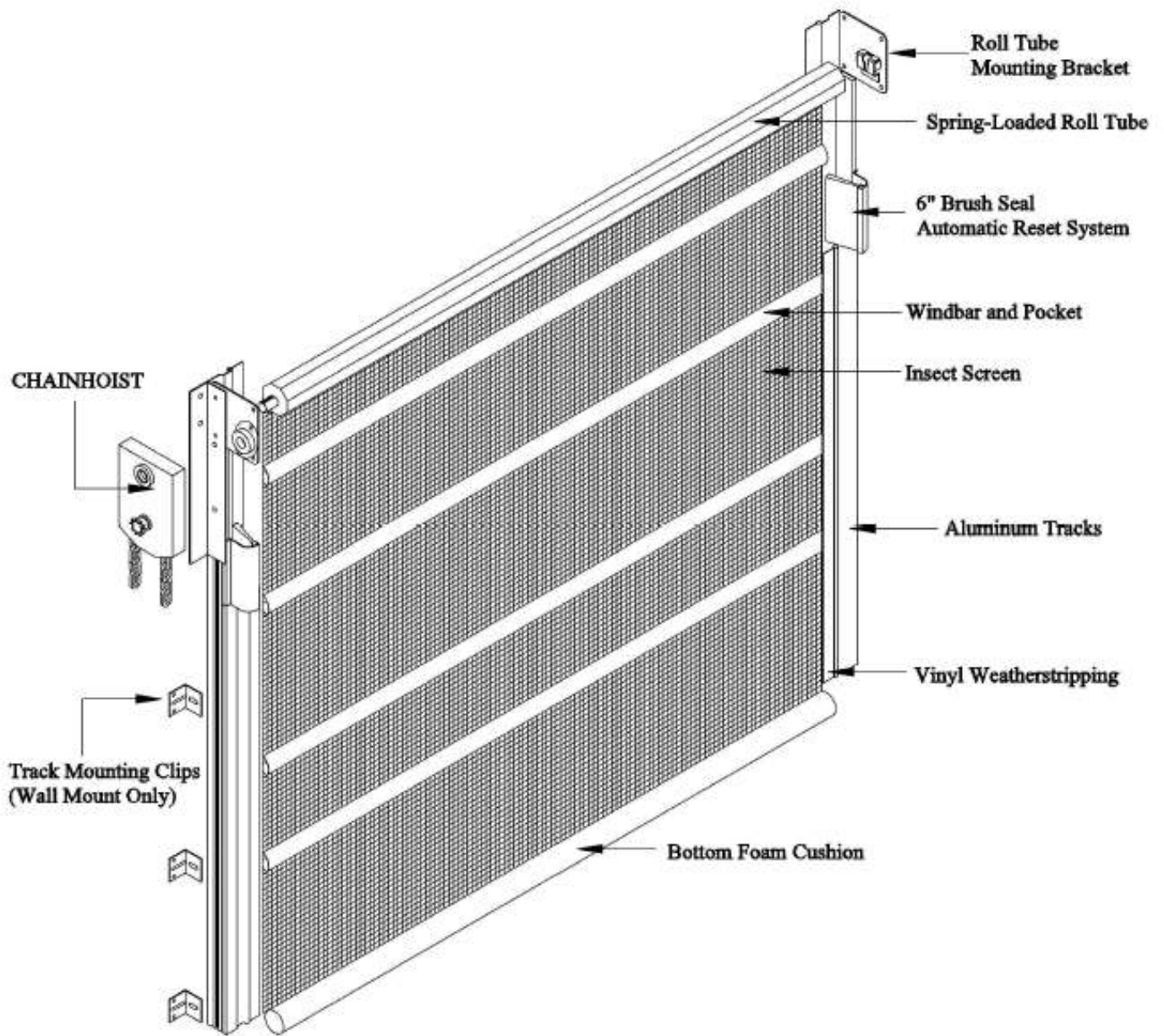


FIGURE 5