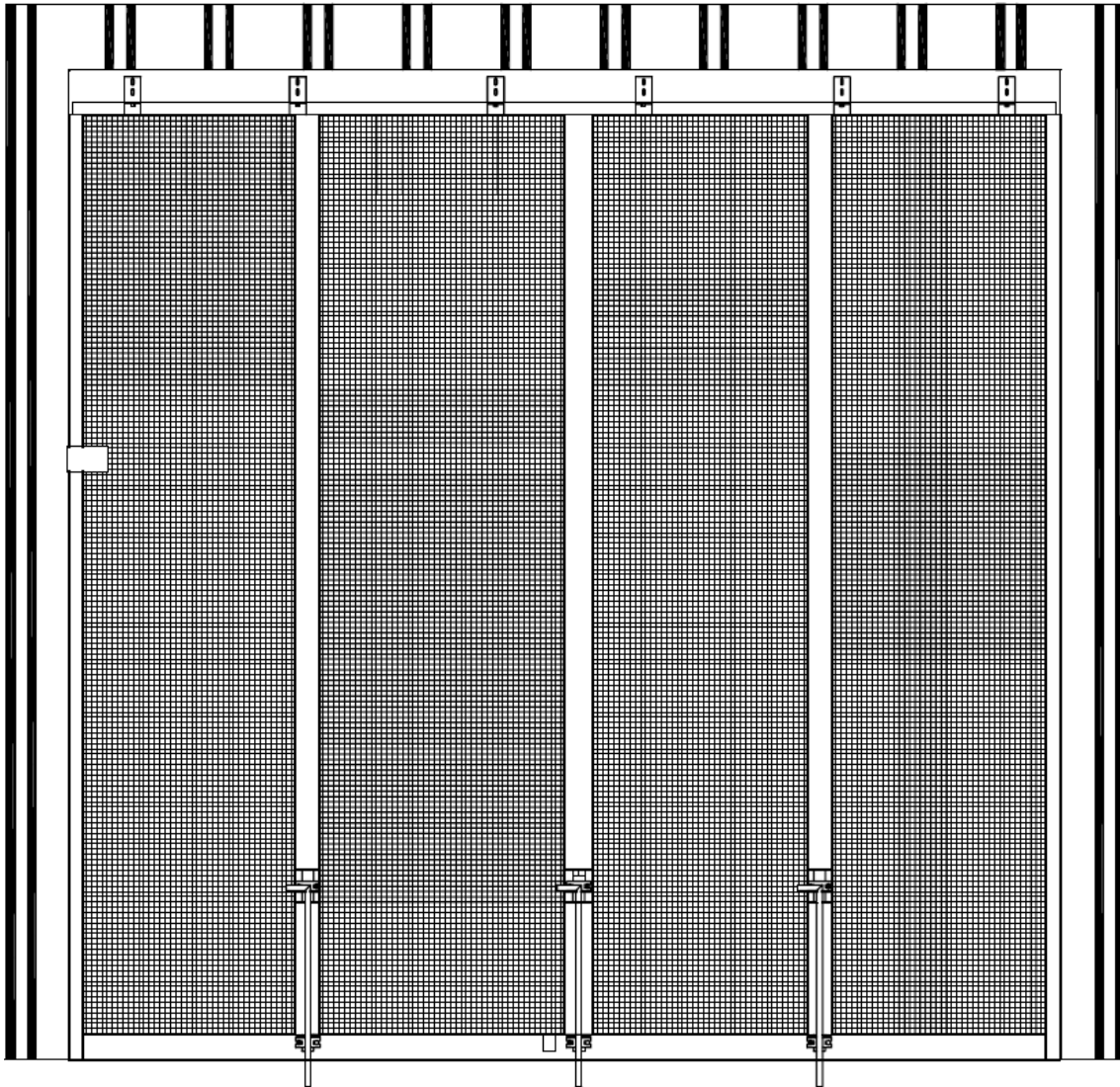




# Single-Sliding Header Mount INSTALLATION INSTRUCTIONS



GATEWAY SO# \_\_\_\_\_

OPENING SIZE: \_\_\_\_\_ " W x \_\_\_\_\_ " H

PULLEY SYSTEM:  YES /  NO



Upon receiving your Gateway Door, inspect packaging and contents for freight damage. Any damage to the packaging or product MUST be recorded on the P.O.D. at time of delivery.

## COPYRIGHT NOTICE

All content of these installation instructions is copyrighted by Gateway Industrial Products, Inc. (hereafter "Gateway"), and is intended for use by Gateway dealers, distributors, and end users only. Unauthorized use or distribution of this content is prohibited.

## RECEIVING AND HANDLING

Immediately upon receiving your Gateway Bug Barrier, Wind Curtain, or Salt Storage Door, inspect the packaging and contents for freight damage or missing hardware. Any damage to the packaging or product **must** be recorded on the carrier's P.O.D. at time of delivery. Contact your Gateway representative as soon as possible to initiate a freight claim.

## SAFETY NOTICE



These instructions are intended for professional door installers who adhere to standard safety procedures. Read these instructions before beginning installation. If instructions are unclear, contact Gateway for further information.

## TECHNICAL SUPPORT





For technical support, call Gateway at 1-800-701-4782 between 8:30AM – 5:00PM (ET) Mon. – Fri.

## LIMITED WARRANTY

This is the sole and exclusive warranty given by Gateway Industrial Products, Inc. with respect to the goods sold hereunder and only provided that they have been paid for in full. Gateway Industrial Products, Inc. warrants that the goods will be free from defects in materials and workmanship for a period of one year from the date of shipment by Gateway Industrial Products, Inc. Components or parts sold separately by Gateway Industrial Products, Inc. that fail due to defects in material or workmanship within one year from the date of shipment will be placed under warranty providing installation has been carried out in accordance with Gateway Industrial Products, Inc. procedures. This warranty is limited to providing replacement part(s) only F.O.B. place of manufacture. **GATEWAY INDUSTRIAL PRODUCTS, INC. MAKES NO OTHER WARRANTY OR REPRESENTATION, EXPRESS OR IMPLIED BY OPERATION OF LAW OR OTHERWISE, AS TO THE MERCHANTABILITY OR FITNESS FOR PARTICULAR PURPOSE OF ANY OF THE GOODS SOLD HEREUNDER, INCLUDING WITHOUT LIMITATION WARRANTIES ARISING FROM COURSE OF DEALING OR USAGE OF TRADE.** Buyer acknowledges that Buyer alone has determined that the goods and services will meet the requirements of their intended use.

Should Gateway Industrial Products, Inc. breach its warranty, Buyer's only remedy and Gateway Industrial Products, Inc.'s only obligation will be, at Gateway Industrial Products, Inc.'s option, the replacement or repair by Gateway Industrial Products, Inc. of any defective goods, either in the field or F.O.B. Gateway Industrial Products, Inc.'s facility as Gateway Industrial Products, Inc. determines, or the refund of the price paid to Gateway Industrial Products, Inc. This warranty does not apply if the defective goods result from misuse, abuse, improper installation, alteration, accident, or negligence in use, storage, transportation, or handling, or due to unauthorized modification or damage resulting from interconnecting Gateway Industrial Products, Inc. goods with other goods not supplied by Gateway Industrial Products, Inc. The above limitations will apply whether the claim is pleaded in contract or in tort (including strict liability). No goods will be accepted for return unless authorized by Gateway Industrial Products, Inc. in writing. All return shipments must be freight prepaid by Buyer. *Warranty Rev. 03/01/03*

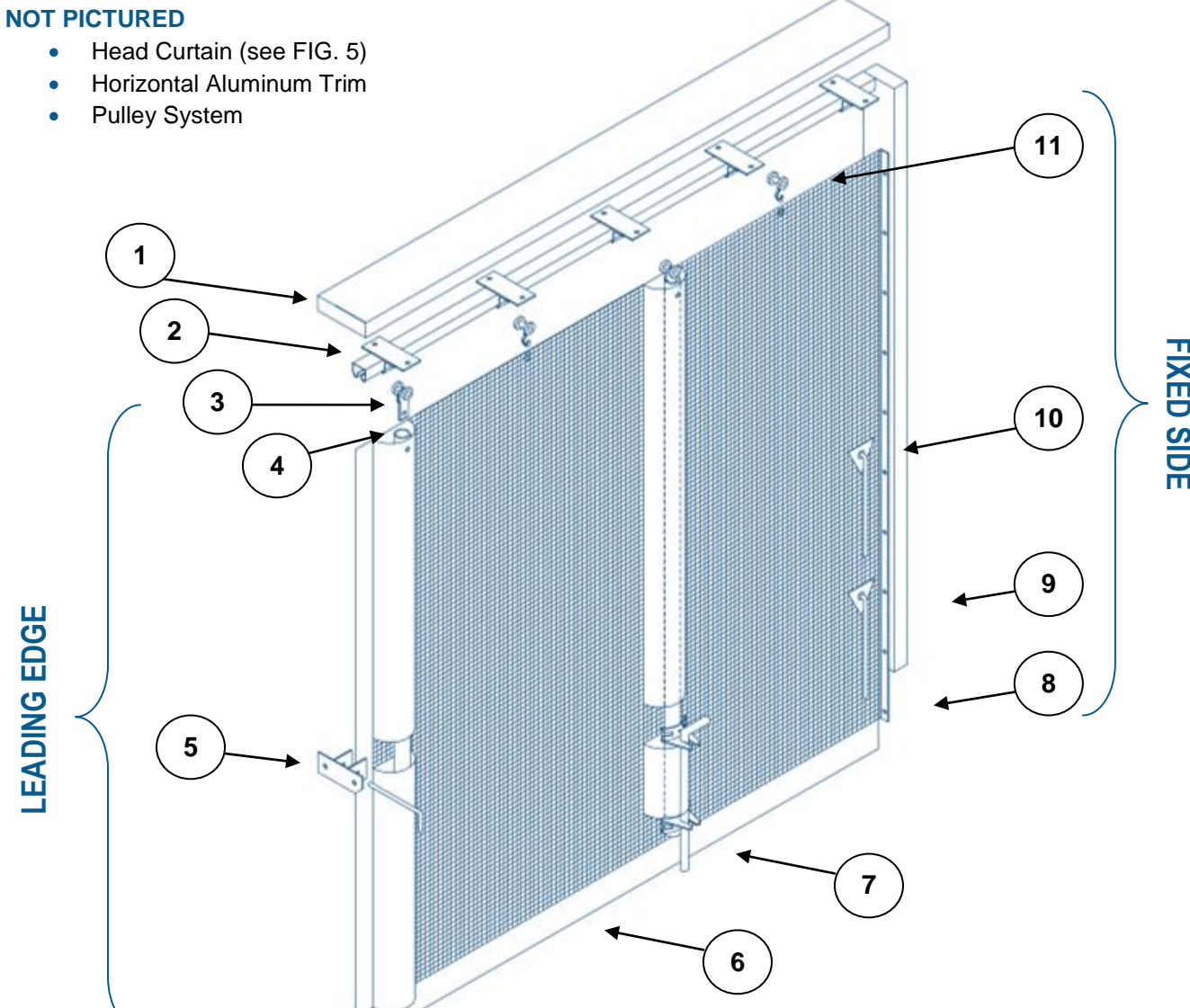
**KEY**

 <p><b>STOP!</b> Important safety instructions. Failure to follow instructions may result in severe injury or death.</p>	 <p>Important information. Failure to follow may result in damage to product or structure.</p>
 <p>Helpful tricks, advice, and reminders.</p>	 <p>This information only applies to certain applications or doors.</p>

**TERMS USED**

**NOT PICTURED**

- Head Curtain (see FIG. 5)
- Horizontal Aluminum Trim
- Pulley System



**FIG 1. SINGLE-SLIDING DOOR TERMS**

1. Horizontal 2 x 6 Lumber	7. Cane Bolt (with Cane Bolt Holders)
2. Sliding Door Track (with Mounting Brackets)	8. Vertical Aluminum Trim
3. Pipe Staff Trolley	9. Vertical 2 x 4 Lumber
4. Pipe Staff	10. Tie-Back
5. Locking Plate & Pin	11. Hook Trolley
6. Bottom Wiper	

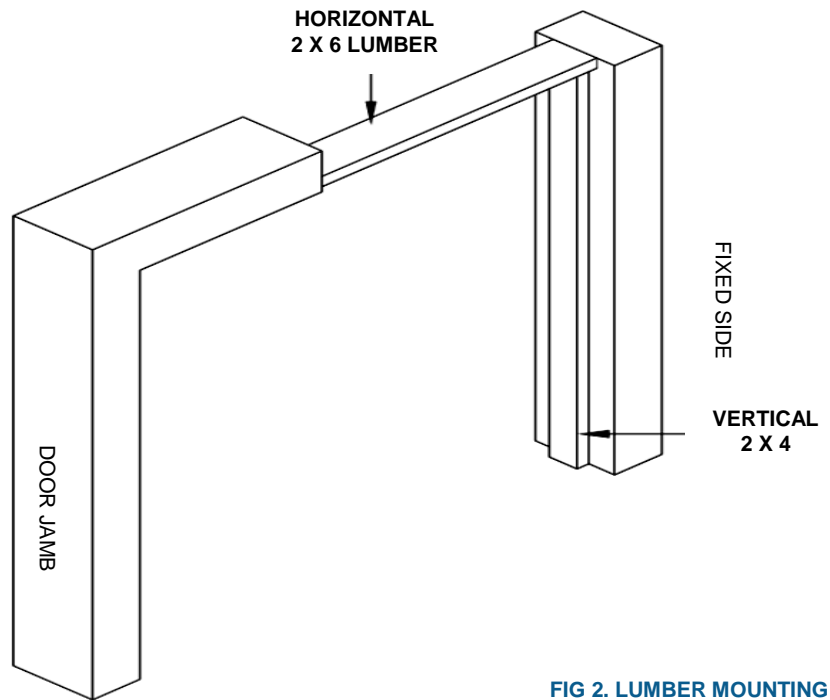
# SINGLE-SLIDER HEADER MOUNT DOOR INSTALLATION

## 1. Mount Lumber in Opening

**Note:** Gateway does not provide hardware to mount lumber to structure.

**Note:** Skip step if you ordered door without lumber.

1. Mount the **2 X 6 Lumber** horizontally at the top of the jamb, centered under the lintel.
2. Mount the **2 X 4 Lumber** vertically on the *Fixed Side*, inside the jamb, centered under the horizontal 2 X 6.



## 2. Lay the curtain flat out on the floor, with the vinyl pipe staff pockets facing up.

1. The *Leading Edge* is the edge with the pipe staff pocket.
2. The *Fixed Side* is the edge without a pipe staff pocket.
3. The bottom of the curtain is the end with the black vinyl **Bottom Wiper**.

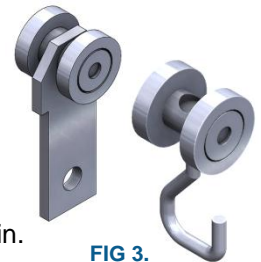
After installation, the pipe staff pockets will face:



- Inside the structure – if door is **accessed from interior**.
- Outside the structure – if door is **accessed from exterior**.

## 3. Prepare the Track and Trolleys

1. Lay the **Sliding Door Track** out on the floor, along the top of the curtain.
2. Slide the trolleys into the track in order, but do **not** fasten trolleys to curtain.
  - a. Each **Pipe Staff Trolley** will line up with a pocket.
  - b. Each **Hook Trolley** will line up with a brass grommet at the top of the curtain.



**ONLY DOORS WITH PULLEY SYSTEMS**

## 4. Attach Eye Bolt with Pulley to End Stop and insert into *Fixed Side* end of track. Tighten bolt on **End Stop** to lock it into place.



**5. Slide Mounting Brackets onto track.**

1. Mounting Brackets should be evenly spaced along every 24" of track.



**6. Mount the Track**, with Brackets and Trolleys installed, in the opening, so that it is flush with the outside edge of the Horizontal 2 x 6 Lumber.

1. Use the 1/4" x 1-1/2" Lag Bolts and 1/4" Washers provided to fasten the brackets to the lumber.

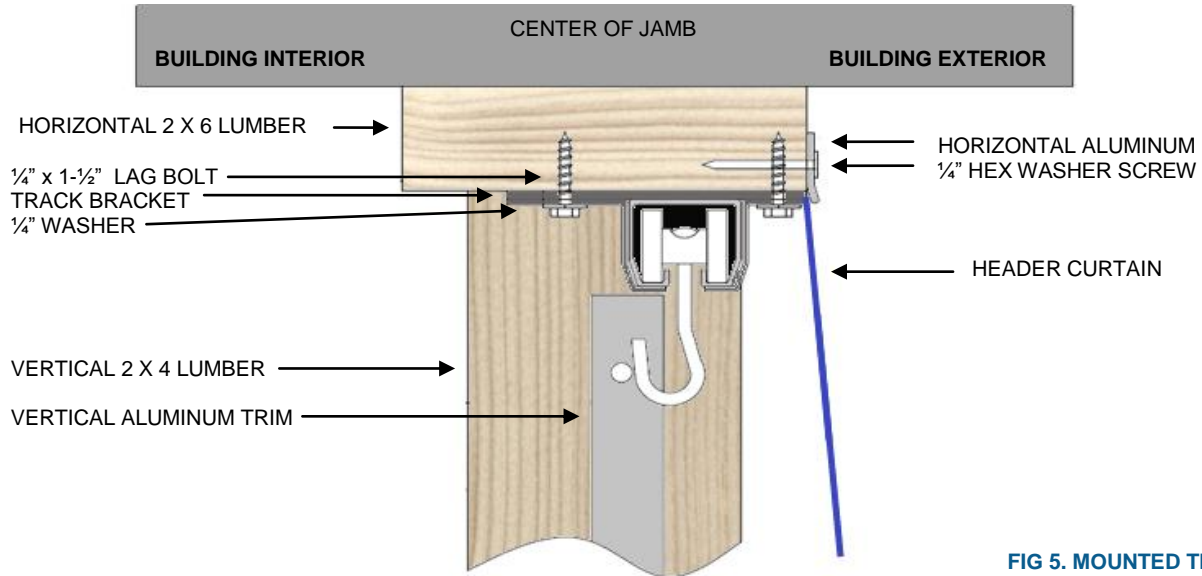


FIG 5. MOUNTED TRACK

**7. Insert Pipe Staff into the curtain pockets.** There is a drilled hole at the top of each pipe staff, which will line up with the grommet at the top of the pocket.

**8. Attach Cane Bolt Holders and Cane Bolts** to pipe staff above the bottom pocket.

1. Do not attach a Cane Bolt to the *Leading Edge* pipe staff.
2. The **Lower Cane Bolt Bracket** (no rest) should be flush with the bottom of the Pipe Staff.

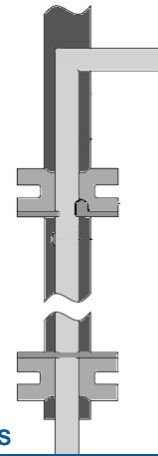


FIG 6. CANE BOLTS

**9. Pick up the curtain assembly**, with pipe staffs installed, and lean it against the jamb on the *Fixed Side* of the door before attaching curtain and Pipe Staff to the track.

1. Use the 5/16" x 2" Bolts and 5/16" Nuts provided to fasten each pipe staff to the corresponding Pipe Staff Trolley.
2. Attach each Hook Trolley to the corresponding grommet.

**IF PULLEY SYSTEM**

Use 5/16" x 2" Bolt on the *Leading Edge* Pipe Staff **only**. For remaining Pipe Staff, use **Eye Bolts** and 5/16" Nut to attach Pipe Staff to Trolley, so the Eyes are above Pockets.



**10. After curtain is hung, slide it to the closed position.**

1. Line the **Locking Plate** on the wall so that it aligns with the gap in the curtain (typically 72" above the ground). Fasten the locking plate to the Door Jamb.
2. Use (1) ¼" **Hex-Washer Screws** to attach Locking Pin Chain to the Locking Plate.

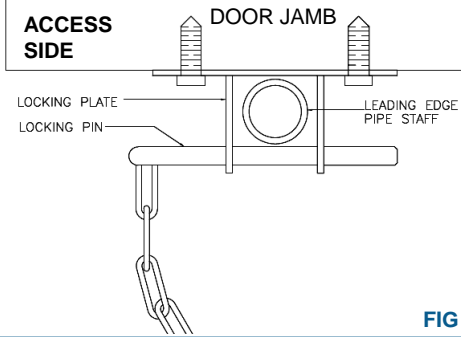


FIG 6. LOCK

**11. Lock curtain in place**, and pull the other end of the curtain to the vertical 2 x 4 Lumber.

1. Pull the top edge of the curtain snugly to the interior edge of the Vertical 2 x 4. If necessary, neatly fold the curtain under to reduce slack.
  - a. Insert (1) **Roofing Nail** to hold curtain in place.
2. Pull the bottom edge of the curtain snugly to the interior edge of the Vertical 2 x 4, again folding the curtain under to take up slack if necessary.
  - a. Insert (1) **Roofing Nail** at the bottom and (1) **Roofing Nail** in the middle.

**12. Align the 1" Vertical Aluminum Trim with the edge of the curtain.**

1. Use the ¼" **Hex-Washer Self-Drilling Screws** to secure the Aluminum Trim and Curtain to the frame.

Gateway recommends using (1) screw every 12".



**13. With the curtain fully closed, line the Cane Bolts up with the floor.**

1. Beneath every Cane Bolt, drill a 5/8" diameter hole *at least* 2" deep into the floor to lock Bolt in place.



**ONLY DOORS WITH PULLEY SYSTEMS**

See *Pulley System Page* for pictures

**14. At the top of the curtain**, on either side of the *Leading Edge* pocket, there is a grommet.

1. Attach the **Nylon Rope** provided to the outermost grommet, and let the Rope hang straight down.
  - a. Cut the rope so that the end hangs 2 ft. above the ground.
2. Attach the remaining length of **Nylon Rope** to the grommet on the other side of the pocket. Thread the rope through the Eye Bolts and Pulley, and let the excess hang down the *Fixed Side*.



**ONLY DOORS WITH PULLEY SYSTEMS**

**15. Mount the Rope Cleats** 4' (48") above the ground on the Vertical 2 x 4 Lumber. The Rope Cleat should be on the *Fixed Side* of the Jamb, on the side the door will be accessed from.

**16. Install the Header Curtain.**

1. On the outside-facing edge of the Horizontal 2 x 6 Lumber and starting at the *Fixed Side*, use the remaining ¼" **Hex-Washer Self-Drilling Screws** to attach the **Header Curtain** under 1" **Horizontal Aluminum Trim** (see FIG 5).

The Gateway Logo should face the building exterior.

